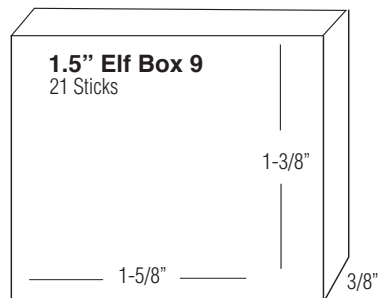
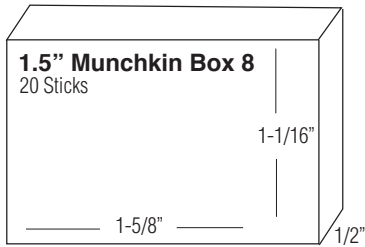
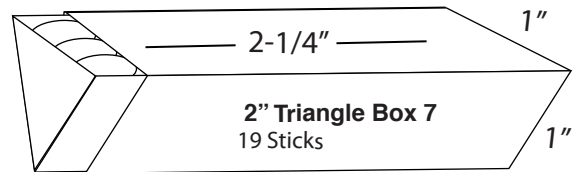
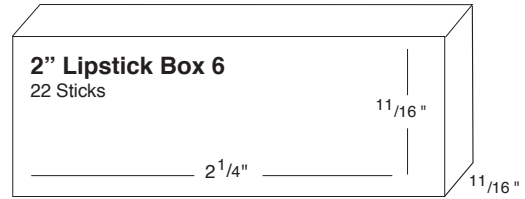
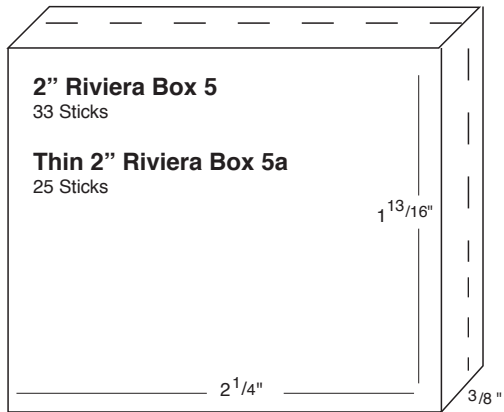
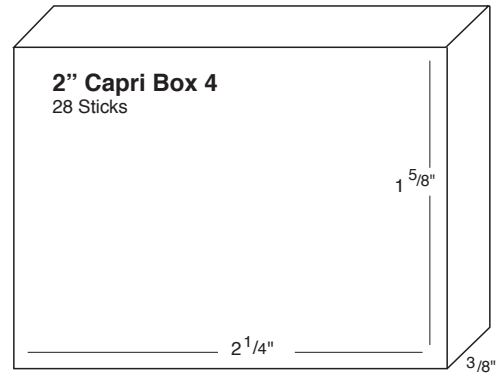
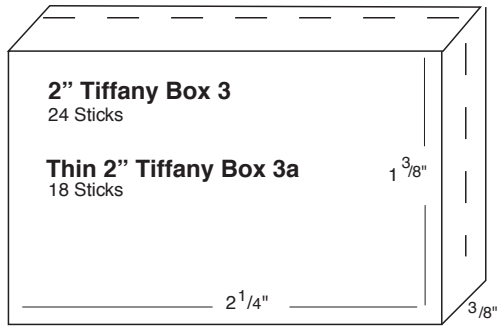
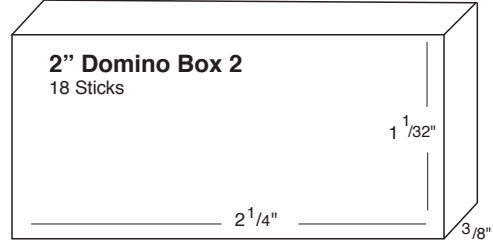
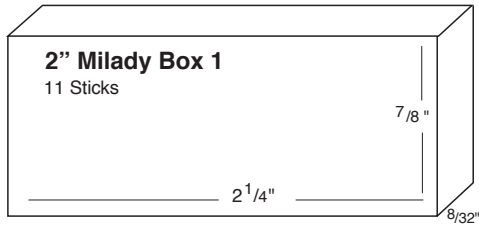




COVERED

2022 MATCH PRICE LIST/TEMPLATES



Standard Match Boxes - Pricing

Pricing includes full bleed imprinting on the entire outside cover and UV gloss coating with your choice of 17 match tip colors. Art and plate charges will be assessed on all first time orders. Please allow 9 - 12 weeks for delivery.



Milady 2" - Box 1	5,000	10,000	25,000	50,000	100,000
1 Color	\$1,000.00	\$1,505.00	\$3,025.00	\$4,985.00	\$7,660.00
Cost per box	\$0.20	\$0.15	\$0.12	\$0.10	\$0.08
2 Colors	\$1,100.00	\$1,655.00	\$3,215.00	\$5,250.00	\$8,000.00
Cost per box	\$0.22	\$0.17	\$0.13	\$0.11	\$0.08
3 Colors	\$1,200.00	\$1,805.00	\$3,405.00	\$5,515.00	\$8,360.00
Cost per box	\$0.24	\$0.18	\$0.14	\$0.11	\$0.08
4 colors	\$1,300.00	\$1,955.00	\$3,595.00	\$5,775.00	\$8,720.00
Cost per box	\$0.26	\$0.20	\$0.14	\$0.12	\$0.09

Domino 2" - Box 2	5,000	10,000	25,000	50,000	100,000
1 Color	\$1,150.00	\$1,875.00	\$3,790.00	\$6,070.00	\$9,040.00
Cost per box	\$0.23	\$0.19	\$0.15	\$0.12	\$0.09
2 Colors	\$1,240.00	\$2,035.00	\$3,990.00	\$6,365.00	\$9,420.00
Cost per box	\$0.25	\$0.20	\$0.16	\$0.13	\$0.09
3 Colors	\$1,345.00	\$2,195.00	\$4,195.00	\$6,635.00	\$9,800.00
Cost per box	\$0.27	\$0.22	\$0.17	\$0.13	\$0.10
4 Colors	\$1,445.00	\$2,355.00	\$4,405.00	\$6,920.00	\$10,180.00
Cost per box	\$0.29	\$0.24	\$0.18	\$0.14	\$0.10

Tiffany 2" Thin & Tiffany 2" - Box 3	5,000	10,000	25,000	50,000	100,000
1 Color	\$1,175.00	\$1,815.00	\$3,220.00	\$5,215.00	\$8,000.00
Cost per box	\$0.24	\$0.18	\$0.13	\$0.10	\$0.08
2 Colors	\$1,275.00	\$1,965.00	\$3,410.00	\$5,470.00	\$8,360.00
Cost per box	\$0.26	\$0.20	\$0.14	\$0.11	\$0.08
3 Colors	\$1,375.00	\$2,115.00	\$3,605.00	\$5,745.00	\$8,700.00
Cost per box	\$0.28	\$0.21	\$0.14	\$0.11	\$0.09
4 Colors	\$1,475.00	\$2,265.00	\$3,795.00	\$5,995.00	\$9,240.00
Cost per box	\$0.30	\$0.23	\$0.15	\$0.12	\$0.09

Standard Match Boxes - Pricing

Pricing includes full bleed imprinting on the entire outside cover and UV gloss coating with your choice of 17 match tip colors. Art and plate charges will be assessed on all first time orders. Please allow 9 - 12 weeks for delivery.



Capri 2" Box 4	5,000	10,000	25,000	50,000	100,000
1 Color	\$1,410.00	\$2,365.00	\$4,795.00	\$7,705.00	\$11,660.00
Cost per box	\$0.28	\$0.24	\$0.19	\$0.15	\$0.12
2 Colors	\$1,510.00	\$2,525.00	\$5,000.00	\$7,990.00	\$12,040.00
Cost per box	\$0.30	\$0.25	\$0.20	\$0.16	\$0.12
3 Colors	\$1,610.00	\$2,685.00	\$5,210.00	\$8,275.00	\$12,420.00
Cost per box	\$0.32	\$0.27	\$0.21	\$0.17	\$0.12
4 Colors	\$1,710.00	\$2,650.00	\$5,415.00	\$8,545.00	\$12,800.00
Cost per box	\$0.34	\$0.27	\$0.22	\$0.17	\$0.13

Riviera 2" Thin & Riviera 2" Box 5	5,000	10,000	25,000	50,000	100,000
1 Color	\$1,575.00	\$2,655.00	\$5,335.00	\$8,715.00	\$13,420.00
Cost per box	\$0.32	\$0.27	\$0.21	\$0.17	\$0.13
2 Colors	\$1,675.00	\$2,815.00	\$5,535.00	\$8,990.00	\$13,800.00
Cost per box	\$0.34	\$0.28	\$0.22	\$0.18	\$0.14
3 Colors	\$1,775.00	\$2,975.00	\$5,745.00	\$9,270.00	\$14,160.00
Cost per box	\$0.36	\$0.30	\$0.23	\$0.19	\$0.14
4 Colors	\$1,875.00	\$3,135.00	\$5,950.00	\$9,555.00	\$14,540.00
Cost per box	\$0.38	\$0.31	\$0.24	\$0.19	\$0.15

Lipstick 2" Box 6	5,000	10,000	25,000	50,000	100,000
1 Color	\$1,565.00	\$2,490.00	\$4,790.00	\$7,800.00	\$11,380.00
Cost per box	\$0.31	\$0.25	\$0.19	\$0.16	\$0.11
2 Colors	\$1,675.00	\$2,640.00	\$4,980.00	\$8,065.00	\$11,720.00
Cost per box	\$0.34	\$0.26	\$0.20	\$0.16	\$0.12
3 Colors	\$1,785.00	\$2,790.00	\$5,175.00	\$8,325.00	\$12,080.00
Cost per box	\$0.36	\$0.28	\$0.21	\$0.17	\$0.12
4 Colors	\$1,895.00	\$2,940.00	\$5,365.00	\$8,590.00	\$12,420.00
Cost per box	\$0.38	\$0.29	\$0.21	\$0.17	\$0.12

Standard Match Boxes - Pricing

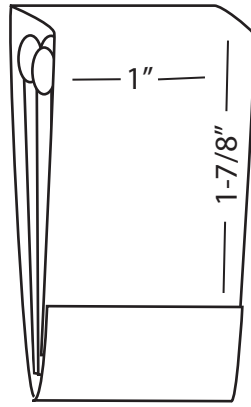
Pricing includes full bleed imprinting on the entire outside cover and UV gloss coating with your choice of 17 match tip colors. Art and plate charges will be assessed on all first time orders. Please allow 9 - 12 weeks for delivery.

Triangle 2" Box 7	5,000	10,000	25,000	50,000	100,000
1 Color	\$1,600.00	\$2,580.00	\$4,150.00	\$5,255.00	\$7,360.00
Cost per box	\$0.32	\$0.26	\$0.21	\$0.18	\$0.15
2 Colors	\$1,715.00	\$2,735.00	\$4,315.00	\$5,430.00	\$7,600.00
Cost per box	\$0.34	\$0.27	\$0.22	\$0.18	\$0.15
3 Colors	\$1,825.00	\$2,895.00	\$4,480.00	\$5,605.00	\$7,850.00
Cost per box	\$0.37	\$0.29	\$0.22	\$0.19	\$0.16
4 Colors	\$1,940.00	\$3,050.00	\$4,645.00	\$5,775.00	\$8,100.00
Cost per box	\$0.39	\$0.31	\$0.23	\$0.19	\$0.16

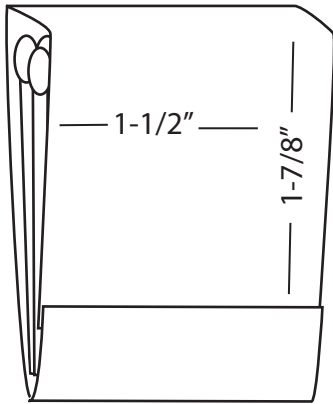
Elf & Munchkin 1.5" Box 8	5,000	10,000	25,000	50,000	100,000
1 Color	\$1,485.00	\$2,410.00	\$4,540.00	\$7,865.00	\$13,520.00
Cost per box	\$0.30	\$0.24	\$0.18	\$0.16	\$0.14
2 Colors	\$1,605.00	\$2,575.00	\$4,750.00	\$8,150.00	\$13,900.00
Cost per box	\$0.32	\$0.26	\$0.19	\$0.16	\$0.14
3 Colors	\$1,725.00	\$2,575.00	\$4,955.00	\$8,430.00	\$14,280.00
Cost per box	\$0.35	\$0.26	\$0.20	\$0.17	\$0.14
4 Colors	\$1,840.00	\$2,895.00	\$5,155.00	\$8,715.00	\$14,660.00
Cost per box	\$0.37	\$0.29	\$0.21	\$0.17	\$0.15

Specialty Options	5,000	10,000	25,000	50,000	100,000
Add Matte Varnish (outside only)	\$195.00	\$285.00	\$425.00	\$640.00	\$900.00
Add Spot Shiny Varnish (outside only)	\$80.00	\$145.00	\$270.00	\$410.00	\$450.00
KRAFT BOARDSTOCK UPGRADE	\$55.00	\$110.00	\$275.00	\$1,500.00	\$3,000.00
Add FOIL Hotstamping*	\$280.00	\$560.00	\$1,400.00	\$2,800.00	\$5,600.00
Add DIE Embossing*	\$190.00	\$380.00	\$950.00	\$1,900.00	\$3,800.00
Color Match Sticks	\$165.00	\$330.00	\$825.00	\$1,650.00	\$3,300.00
Mixed Tip Colors (up-to 3 stock colors)	\$100.00	\$200.00	\$500.00	\$1,000.00	\$2,000.00
Add Drawer Color	\$145.00	\$290.00	\$725.00	\$1,450.00	\$2,900.00
Custom Tip Color (approx. PMS)	\$200.00	\$200.00	\$0.00	\$0.00	\$0.00
Riviera FOIL Hotstamping*	\$420.00	\$840.00	\$2,100.00	\$4,200.00	\$8,400.00
Riviera DIE Embossing*	\$285.00	\$570.00	\$1,425.00	\$2,850.00	\$5,700.00
*\$230 one time plate fee					

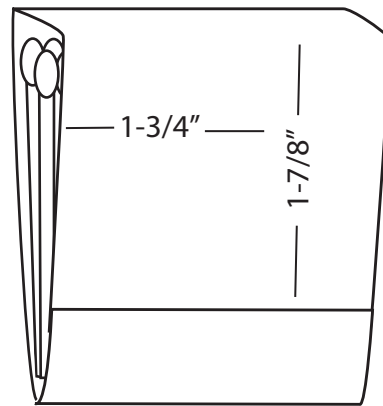
12 Light Mini Book



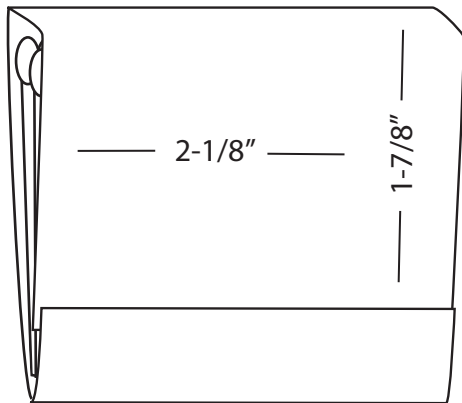
20 Light Book



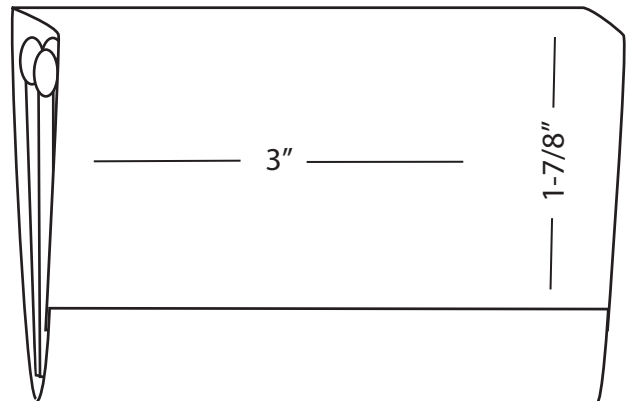
24 Light Book



30 Light Book



40 Light Book



Standard Match Books - Pricing

Pricing includes full bleed imprinting on the entire outside cover and UV gloss coating.
Art and plate charges will be assessed on all first time orders. Please allow 9 - 12 weeks for delivery.

20-Light Book	5,000	10,000	25,000	50,000	100,000
1 Color	\$540.00	\$810.00	\$1,540.00	\$2,575.00	\$4,400.00
Cost per book	\$0.11	\$0.08	\$0.06	\$0.05	\$0.04
2 Colors	\$640.00	\$975.00	\$1,815.00	\$2,980.00	\$4,900.00
Cost per book	\$0.13	\$0.10	\$0.07	\$0.06	\$0.05
3 Colors	\$730.00	\$1,145.00	\$2,100.00	\$3,400.00	\$5,400.00
Cost per book	\$0.15	\$0.11	\$0.08	\$0.07	\$0.05
4 Colors	\$830.00	\$1,315.00	\$2,375.00	\$3,815.00	\$5,900.00
Cost per book	\$0.17	\$0.13	\$0.10	\$0.08	\$0.06

30-Light Book	5,000	10,000	25,000	50,000	100,000
1 Color	\$675.00	\$1,110.00	\$2,045.00	\$3,645.00	\$6,780.00
Cost per book	\$0.14	\$0.11	\$0.08	\$0.07	\$0.07
2 Colors	\$765.00	\$1,280.00	\$2,325.00	\$4,065.00	\$7,300.00
Cost per book	\$0.15	\$0.13	\$0.09	\$0.08	\$0.07
3 Colors	\$855.00	\$1,445.00	\$2,600.00	\$4,475.00	\$7,840.00
Cost per book	\$0.17	\$0.14	\$0.10	\$0.09	\$0.08
4 Colors	\$945.00	\$1,615.00	\$2,890.00	\$4,895.00	\$8,360.00
Cost per book	\$0.19	\$0.16	\$0.12	\$0.10	\$0.08

40-Light Book	5,000	10,000	25,000	50,000	100,000
1 Color	\$785.00	\$1,305.00	\$2,165.00	\$3,854.00	\$7,140.00
Cost per book	\$0.16	\$0.13	\$0.09	\$0.08	\$0.07
2 Colors	\$905.00	\$1,530.00	\$2,540.00	\$4,405.00	\$7,840.00
Cost per book	\$0.18	\$0.15	\$0.10	\$0.09	\$0.08
3 Colors	\$1,025.00	\$1,755.00	\$2,910.00	\$4,960.00	\$8,540.00
Cost per book	\$0.21	\$0.18	\$0.12	\$0.10	\$0.09
4 Colors	\$1,145.00	\$1,980.00	\$3,285.00	\$5,514.00	\$9,240.00
Cost per book	\$0.23	\$0.20	\$0.13	\$0.11	\$0.09

Standard Match Books - Pricing

Pricing includes full bleed imprinting on the entire outside cover and UV gloss coating.
Art and plate charges will be assessed on all first time orders. Please allow 9 - 12 weeks for delivery.

12-Light Book	5,000	10,000	25,000	50,000	100,000
1 Color	\$750.00	\$1,365.00	\$2,975.00	\$5,275.00	\$9,380.00
Cost per book	\$0.15	\$0.14	\$0.12	\$0.11	\$0.09
2 Colors	\$845.00	\$1,545.00	\$3,275.00	\$5,715.00	\$9,920.00
Cost per book	\$0.17	\$0.15	\$0.13	\$0.11	\$0.10
3 Colors	\$945.00	\$1,725.00	\$3,575.00	\$6,170.00	\$10,480.00
Cost per book	\$0.19	\$0.17	\$0.14	\$0.12	\$0.10
4 Colors	\$1,040.00	\$1,905.00	\$3,875.00	\$6,610.00	\$11,040.00
Cost per book	\$0.21	\$0.19	\$0.16	\$0.13	\$0.11

24-Light Book	5,000	10,000	25,000	50,000	100,000
1 Color	\$840.00	\$1,425.00	\$3,225.00	\$5,725.00	\$9,450.00
Cost per book	\$0.17	\$0.14	\$0.13	\$0.11	\$0.09
2 Colors	\$940.00	\$1,600.00	\$3,530.00	\$6,170.00	\$9,990.00
Cost per book	\$0.19	\$0.16	\$0.14	\$0.12	\$0.10
3 Colors	\$1,035.00	\$1,770.00	\$3,835.00	\$6,620.00	\$10,545.00
Cost per book	\$0.21	\$0.18	\$0.15	\$0.13	\$0.11
4 Colors	\$1,130.00	\$1,945.00	\$4,135.00	\$7,065.00	\$11,080.00
Cost per book	\$0.23	\$0.19	\$0.17	\$0.14	\$0.11

Specialty Options	5,000	10,000	25,000	50,000	100,000
Inside Print Per Color	\$80.00	\$145.00	\$270.00	\$410.00	\$540.00
Add Matte Varnish (outside only)	\$160.00	\$295.00	\$550.00	\$825.00	\$1,080.00
Add Spot Shiny Varnish (outside only)	\$80.00	\$145.00	\$270.00	\$410.00	\$540.00
KRAFT BOARDSTOCK UPGRADE	\$45.00	\$90.00	\$225.00	\$450.00	\$900.00
Add FOIL Hotstamping*	\$255.00	\$510.00	\$1,275.00	\$2,555.00	\$5,100.00
Add DIE Embossing*	\$175.00	\$350.00	\$875.00	\$1,755.00	\$3,500.00
Custom Tip Color (approx. PMS)	\$200.00	\$200.00	\$0.00	\$0.00	\$0.00
*\$230 one time plate fee					

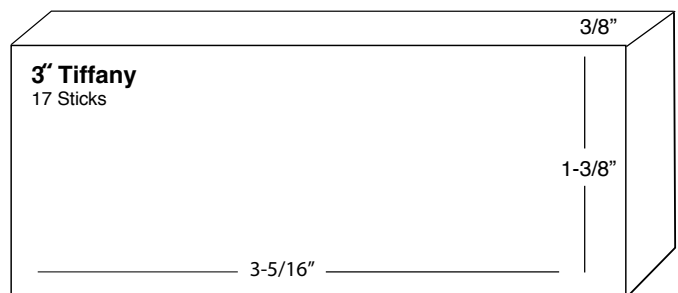
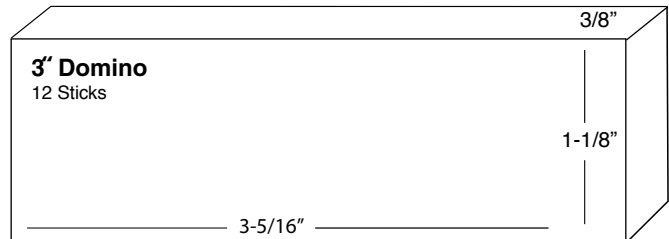
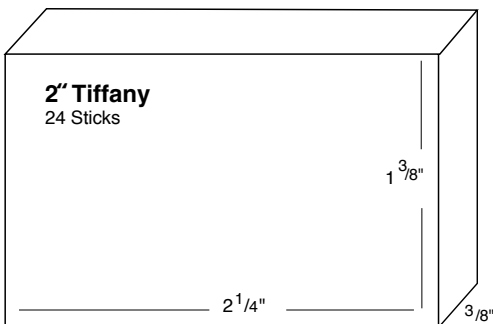
Quick Print/Short Run Matches - Pricing

Price includes up to full color digital printing of outer cover (one or two sides). Art charges will be assessed on all first time order. A \$35 plate fee will be assessed on all orders (per side). Please allow 6- 10 business for delivery after final art approval. Quantities over 600 boxes require extended production time. Only white match tips available. Note that this item does not print with a full bleed.

Digital 2" Tiffany	200	400	500	600	800	1,000
One Side Per Unit Price	\$379.00 \$1.90	\$687.00 \$1.72	\$835.00 \$1.67	\$948.00 \$1.58	\$1,267.00 \$1.58	\$1,565.00 \$1.57
Two Sides Per Unit Price	\$501.00 \$2.51	\$854.00 \$2.14	\$1,025.00 \$2.05	\$1,150.00 \$1.92	\$1,481.00 \$1.85	\$1,823.00 \$1.82

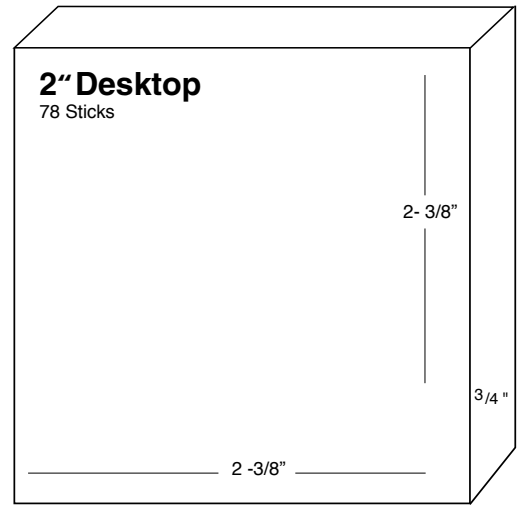
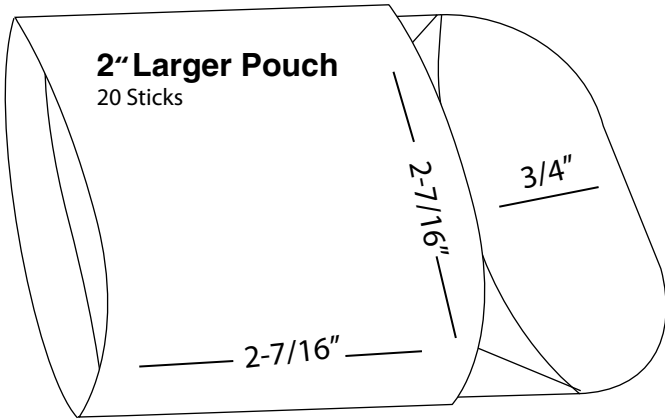
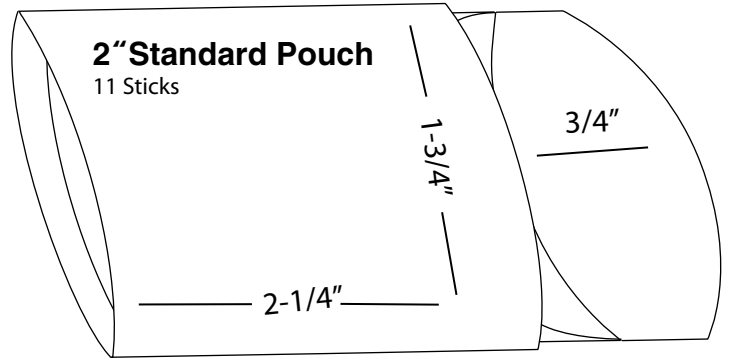
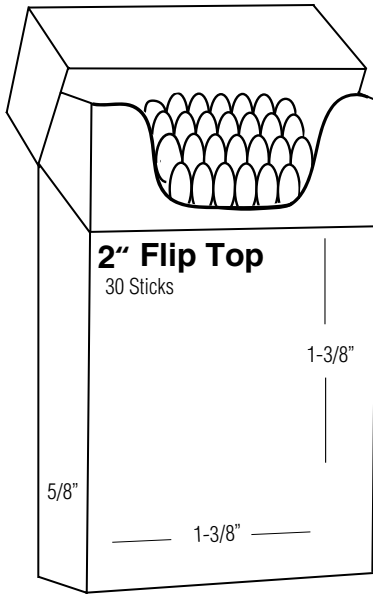
Digital 3" Domino	200	400	500	600	800	1,000
One Side Per Unit Price	\$535.00 \$2.68	\$1,003.00 \$2.51	\$1,205.00 \$2.41	\$1,368.00 \$2.31	\$1,771.00 \$2.21	\$2,125.00 \$2.13
Two Sides Per Unit Price	\$670.00 \$3.35	\$1,238.00 \$3.10	\$1,490.00 \$2.98	\$1,721.00 \$2.87	\$2,206.00 \$2.76	\$2,660.00 \$2.66

Digital 3" Tiffany	200	400	500	600	800	1,000
One Side Per Unit Price	\$550.00 \$2.75	\$1,068.00 \$2.67	\$1,295.00 \$2.59	\$1,500.00 \$2.50	\$1,936.00 \$2.42	\$2,340.00 \$2.34
Two Sides Per Unit Price	\$650.00 \$3.25	\$1,268.00 \$3.17	\$1,545.00 \$3.09	\$1,800.00 \$3.00	\$2,336.00 \$2.92	\$2,840.00 \$2.84

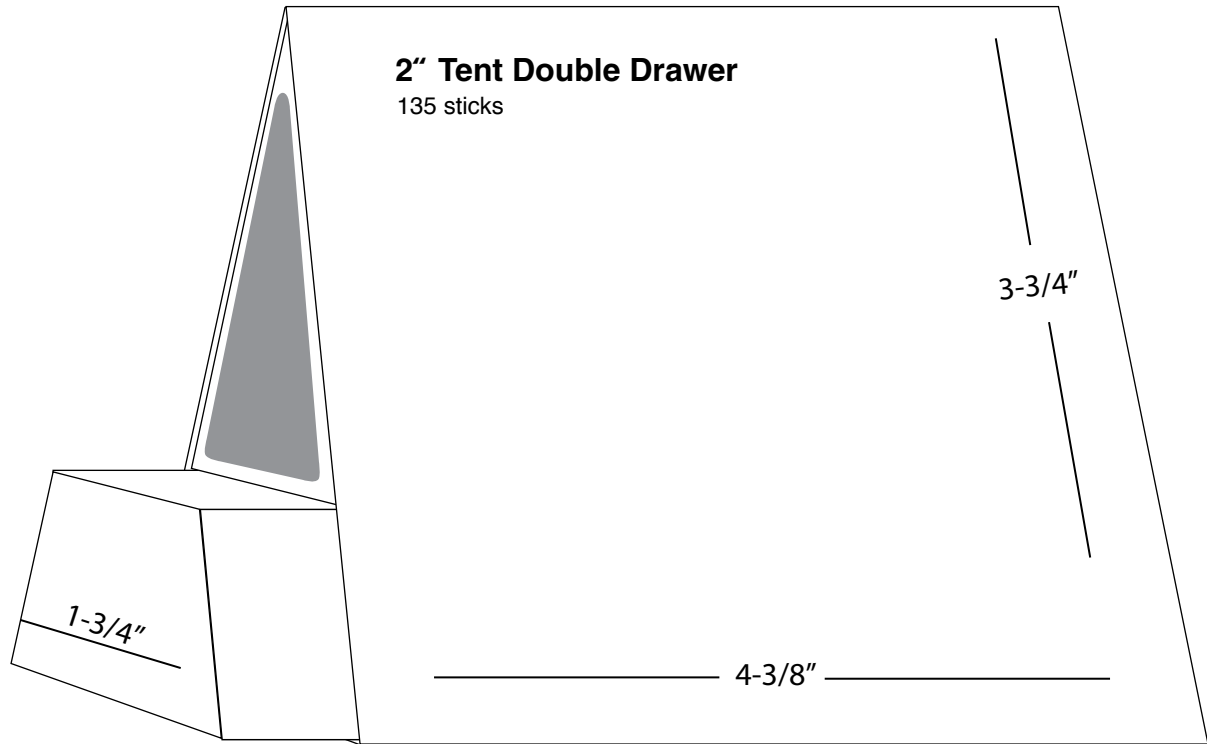
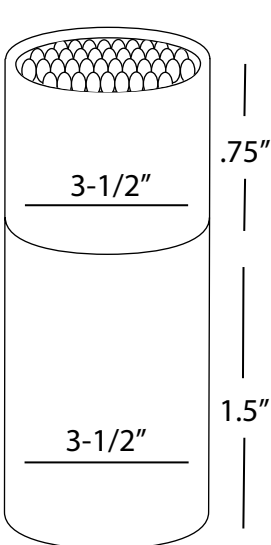


Plain Match Boxes	1 Case	5+ Cases	10+ Cases
Tiffany 2"	\$450.00	\$400.00	\$350.00
Cost per box	\$0.18	\$0.16	\$0.14
Domino 3"	\$375.00	\$325.00	\$275.00
Cost per box	\$0.30	\$0.26	\$0.22
Tiffany 3"	\$400.00	\$350.00	\$300.00
Cost per box	\$0.32	\$0.28	\$0.24

Specialty 2" Boxes



2" Drum Cylinder



Specialty 2” Boxes Pricing

Pricing includes Pantone or CMYK imprinting on three sides of outer cover and UV gloss coating. Art and plate charges will be assessed on all first time orders. Please allow 12-16 weeks for delivery. 16 tip colors available on all standard boxes. Please email or call for pricing on premium options.

2” Fliptop	5,000	10,000	25,000	50,000
1 color Price per unit	1,795.00 \$0.36	\$2,700.00 \$0.27	\$4,600.00 \$0.23	\$6,270.00 \$0.21
2 color Price per unit	1,915.00 \$0.38	\$2,870.00 \$0.29	\$4,800.00 \$0.24	\$6,480.00 \$0.22
3 color Price per unit	2,035.00 \$0.41	\$3,060.00 \$0.31	\$5,020.00 \$0.25	\$6,690.00 \$0.22
4 color Price per unit	2,155.00 \$0.43	\$3,330.00 \$0.33	\$5,180.00 \$0.26	\$6,960.00 \$0.23

2” Standard Pouch	5,000	10,000	20,000	30,000	50,000
1 color Price per unit	\$1,845.00 \$0.37	\$3,330.00 \$0.33	\$6,320.00 \$0.32	\$6,840.00 \$0.23	\$10,750.00 \$0.22
2 color Price per unit	\$1,955.00 \$0.39	\$3,500.00 \$0.35	\$6,520.00 \$0.33	\$7,050.00 \$0.24	\$10,750.00 \$0.22
3 color Price per unit	\$2,070.00 \$0.41	\$3,660.00 \$0.37	\$6,700.00 \$0.34	\$7,260.00 \$0.24	\$11,000.00 \$0.22
4 color Price per unit	\$2,170.00 \$0.43	\$3,830.00 \$0.38	\$6,860.00 \$0.34	\$7,470.00 \$0.25	\$11,350.00 \$0.23

2” Larger Pouch	5,000	10,000	20,000	30,000	50,000
1 color Price per unit	\$2,935.00 \$0.59	\$5,250.00 \$0.53	\$10,020.00 \$0.50	\$13,560.00 \$0.45	\$19,300.00 \$0.39
2 color Price per unit	\$3,045.00 \$0.61	\$5,430.00 \$0.54	\$10,240.00 \$0.51	\$13,740.00 \$0.46	\$19,650.00 \$0.39
3 color Price per unit	\$3,150.00 \$0.63	\$5,580.00 \$0.56	\$10,400.00 \$0.52	\$13,950.00 \$0.47	\$19,900.00 \$0.40
4 color Price per unit	\$3,260.00 \$0.65	\$5,750.00 \$0.58	\$10,580.00 \$0.53	\$14,160.00 \$0.47	\$20,250.00 \$0.41

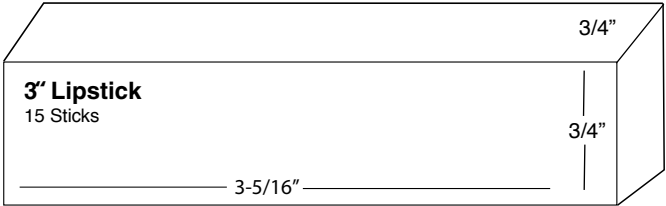
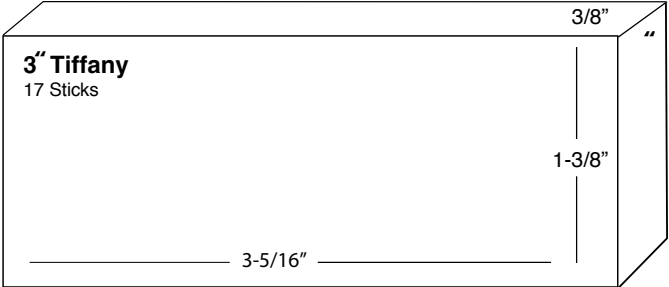
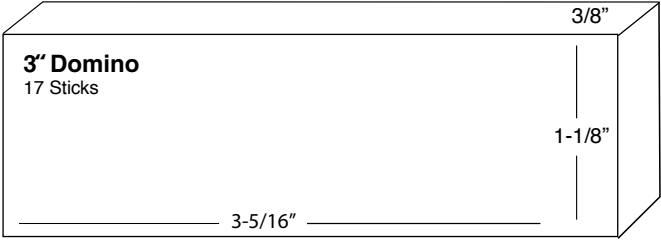
Specialty 2” Boxes Pricing

2” Desktop	1,000	2,500	5,000	10,000	25,000	50,000
1 color Per Unit Price	\$500.00 \$0.50	\$1,132.80 \$0.45	\$2,070.00 \$0.41	\$3,570.00 \$0.36	\$8,925.00 \$0.36	\$17,150.00 \$0.34
2 colors Per Unit Price	\$553.00 \$0.55	\$1,245.00 \$0.50	\$2,240.00 \$0.45	\$3,950.00 \$0.40	\$9,225.00 \$0.37	\$17,500.00 \$0.35
3 colors Per Unit Price	\$604.00 \$0.60	\$1,352.00 \$0.54	\$2,405.00 \$0.48	\$4,140.00 \$0.41	\$9,525.00 \$0.38	\$17,950.00 \$0.36
4 color process Per Unit Price	\$658.00 \$0.66	\$1,462.00 \$0.58	\$2,575.00 \$0.52	\$4,310.00 \$0.43	\$9,825.00 \$0.39	\$18,350.00 \$0.37

2” Drum	2,500	5,000	10,000	25,000	50,000	100,000
1 color Per Unit Price	\$1,802.50 \$0.72	\$2,395.00 \$0.48	\$4,330.00 \$0.43	\$8,625.00 \$0.35	\$15,000.00 \$0.30	\$28,700.00 \$0.28
2 colors Per Unit Price	\$1,982.50 \$0.79	\$2,635.00 \$0.53	\$4,570.00 \$0.46	\$9,150.00 \$0.37	\$15,900.00 \$0.32	\$29,700.00 \$0.29
3 colors Per Unit Price	\$2,160.00 \$0.86	\$2,866.00 \$0.57	\$4,820.00 \$0.48	\$9,650.00 \$0.39	\$16,650.00 \$0.33	\$30,900.00 \$0.31
4 color process Per Unit Price	\$2,340.00 \$0.94	\$3,105.00 \$0.62	\$5,060.00 \$0.51	\$10,175.00 \$0.41	\$17,400.00 \$0.35	\$31,900.00 \$0.31

2” Tent	1,000	2,500	5,000	10,000
1 color Price per unit	\$1,372.00 \$1.37	\$3,115.00 \$1.25	\$5,680.00 \$1.14	\$10,610.00 \$1.06
2 color Price per unit	\$1,473.00 \$1.47	\$3,322.00 \$1.33	\$5,895.00 \$1.18	\$10,870.00 \$1.09
3 color Price per unit	\$1,573.00 \$1.57	\$3,527.00 \$1.41	\$6,110.00 \$1.22	\$11,110.00 \$1.11
4 color Price per unit	\$1,674.00 \$1.67	\$3,730.00 \$1.49	\$6,325.00 \$1.27	\$11,360.00 \$1.14

Specialty 3" Boxes



Specialty 3” Box Pricing

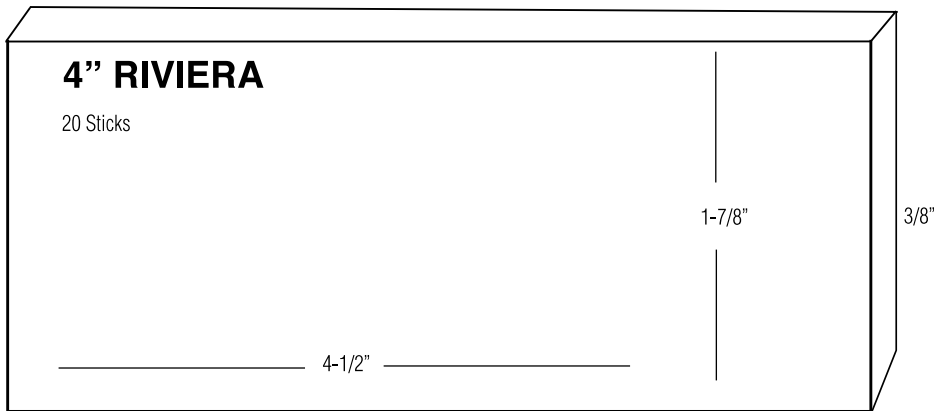
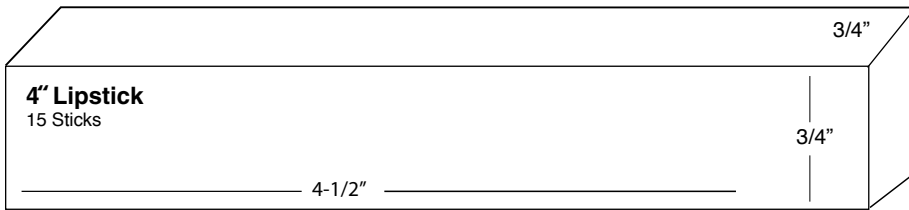
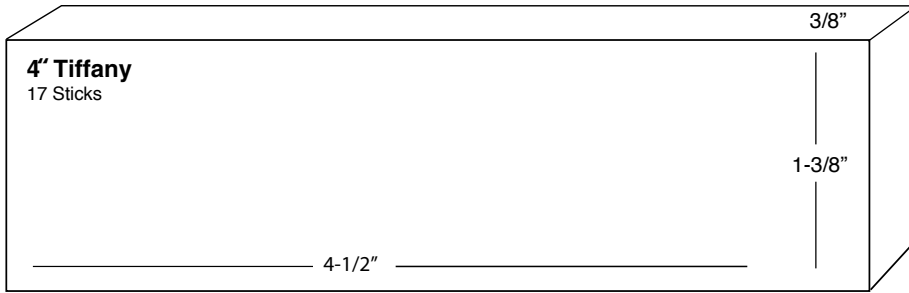
Pricing includes Pantone or CMYK imprinting on three sides of outer cover and UV gloss coating. Art and plate charges will be assessed on all first time orders. Please allow 12-16 weeks for delivery. 16 tip colors available on all standard boxes. Please email or call for pricing on premium options.

3” Domino	1,000	2,500	5,000	10,000	20,000	30,000
1 color Per Unit Price	\$646.00 \$0.65	\$1,007.00 \$0.40	\$1,675.00 \$0.34	\$2,780.00 \$0.28	\$5,260.00 \$0.26	\$7,110.00 \$0.24
2 colors Per Unit Price	\$694.00 \$0.69	\$1,102.00 \$0.44	\$1,775.00 \$0.36	\$2,940.00 \$0.29	\$5,460.00 \$0.27	\$7,320.00 \$0.24
3 colors Per Unit Price	\$742.00 \$0.74	\$1,192.00 \$0.48	\$1,880.00 \$0.38	\$3,090.00 \$0.31	\$5,660.00 \$0.28	\$7,560.00 \$0.25
4 color process Per Unit Price	\$790.00 \$0.79	\$1,287.00 \$0.51	\$1,985.00 \$0.40	\$3,250.00 \$0.33	\$5,880.00 \$0.29	\$7,770.00 \$0.26

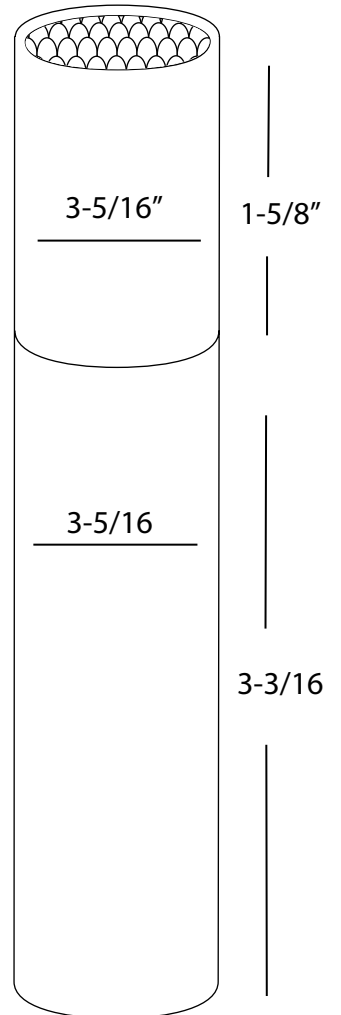
3” Tiffany	1,000	2,500	5,000	10,000	20,000	30,000
1 color Per Unit Price	\$740.00 \$0.74	\$1,100.00 \$0.44	\$1,830.00 \$0.37	\$3,040.00 \$0.30	\$5,740.00 \$0.29	\$8,190.00 \$0.27
2 colors Per Unit Price	\$788.00 \$0.79	\$1,190.00 \$0.48	\$1,930.00 \$0.39	\$3,190.00 \$0.32	\$5,940.00 \$0.30	\$8,400.00 \$0.28
3 colors Per Unit Price	\$836.00 \$0.84	\$1,312.00 \$0.52	\$2,035.00 \$0.41	\$3,350.00 \$0.34	\$6,140.00 \$0.31	\$8,640.00 \$0.29
4 color process Per Unit Price	\$884.00 \$0.84	\$1,402.00 \$0.56	\$2,140.00 \$0.43	\$3,500.00 \$0.35	\$6,360.00 \$0.32	\$8,850.00 \$0.30

3” Lipstick	1,000	2,500	5,000	10,000	20,000	30,000
1 color Per Unit Price	\$686.00 \$0.69	\$1,370.00 \$0.55	\$2,320.00 \$0.46	\$3,970.00 \$0.40	\$7,220.00 \$0.36	\$9,690.00 \$0.32
2 colors Per Unit Price	\$733.00 \$0.73	\$1,460.00 \$0.58	\$2,420.00 \$0.48	\$4,120.00 \$0.41	\$7,420.00 \$0.37	\$9,930.00 \$0.33
3 colors Per Unit Price	\$781.00 \$0.78	\$1,552.00 \$0.62	\$2,525.00 \$0.51	\$4,280.00 \$0.43	\$7,620.00 \$0.38	\$10,140.00 \$0.34
4 color process Per Unit Price	\$831.00 \$0.83	\$1,645.00 \$0.66	\$2,620.00 \$0.52	\$4,430.00 \$0.44	\$7,820.00 \$0.39	\$10,410.00 \$0.35

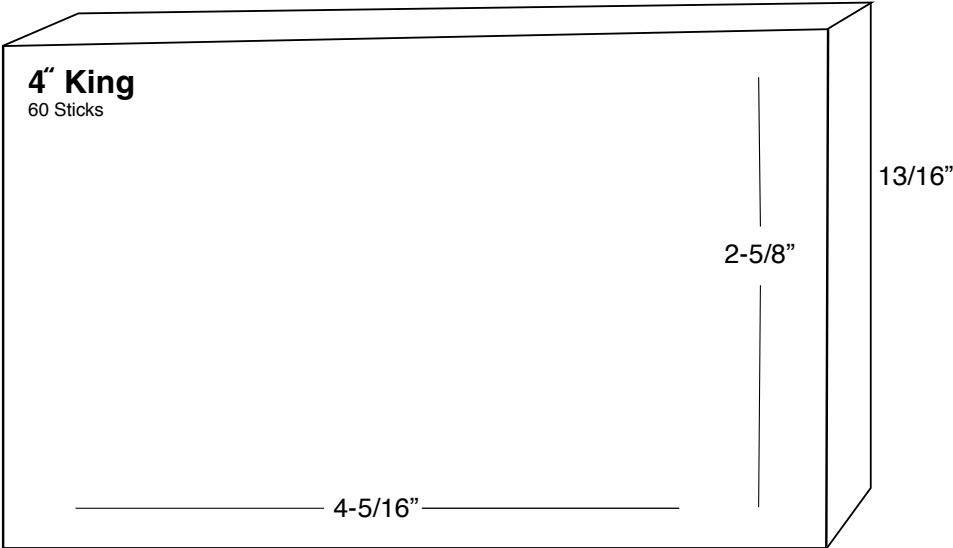
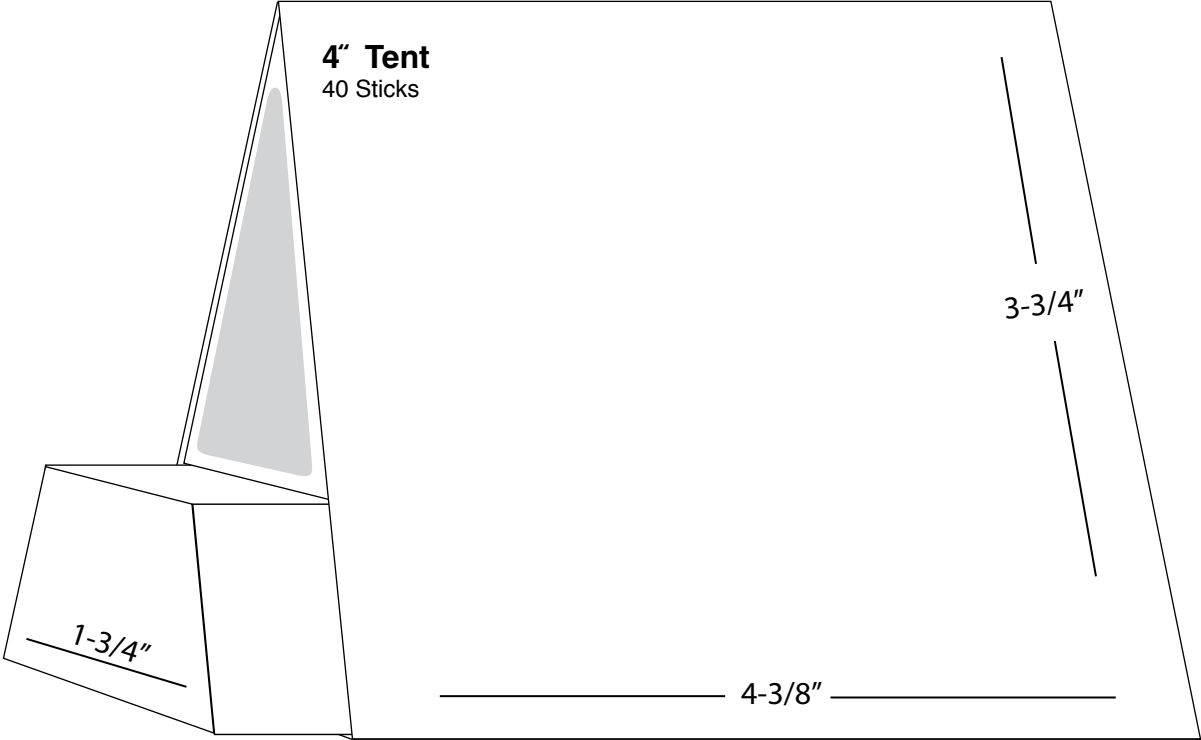
Specialty 4" Boxes



4" Drum Cylinder
14 Sticks



Specialty 4" Boxes



Specialty 4” Box Pricing

Pricing includes Pantone or CMYK imprinting on three sides of outer cover and UV gloss coating. Art and plate charges will be assessed on all first time orders. Please allow 12-16 weeks for delivery. 16 tip colors available on all standard boxes. Please email or call for pricing on premium options.

4” Tiffany	1,000	2,500	5,000	10,000	20,000	30,000
1 color Per Unit Price	\$845.00 \$0.85	\$1,472.00 \$0.59	\$2,445.00 \$0.49	\$4,070.00 \$0.41	\$7,720.00 \$0.39	\$10,980.00 \$0.37
2 colors Per Unit Price	\$901.00 \$0.90	\$1,570.00 \$0.63	\$2,565.00 \$0.51	\$4,240.00 \$0.42	\$7,940.00 \$0.40	\$11,220.00 \$0.37
3 colors Per Unit Price	\$985.00 \$0.96	\$1,665.00 \$0.67	\$2,680.00 \$0.54	\$4,416.00 \$0.44	\$8,140.00 \$0.41	\$11,490.00 \$0.38
4 color process Per Unit Price	\$1,015.00 \$1.02	\$1,765.00 \$0.71	\$2,790.00 \$0.56	\$4,570.00 \$0.46	\$8,340.00 \$0.42	\$11,700.00 \$0.39

4” Lipstick	1,000	2,500	5,000	10,000	20,000	30,000
1 color Per Unit Price	\$920.00 \$0.92	\$1,838.00 \$0.74	\$3,065.00 \$0.61	\$3,970.00 \$0.40	\$7,220.00 \$0.36	\$9,690.00 \$0.32
2 colors Per Unit Price	\$977.00 \$0.98	\$1,935.00 \$0.77	\$3,175.00 \$0.64	\$4,120.00 \$0.41	\$7,420.00 \$0.37	\$9,930.00 \$0.33
3 colors Per Unit Price	\$1,032.00 \$1.03	\$2,030.00 \$0.81	\$3,295.00 \$0.66	\$4,280.00 \$0.43	\$7,620.00 \$0.38	\$10,140.00 \$0.34
4 color process Per Unit Price	\$1,088.00 \$1.09	\$2,130.00 \$0.85	\$3,410.00 \$0.68	\$4,430.00 \$0.44	\$7,820.00 \$0.39	\$10,410.00 \$0.35

4” Drum	1,000	2,500	5,000	10,000
1 color Price per unit	\$1,876.00 \$1.87	\$4,193.00 \$1.67	\$7,855.00 \$1.57	\$13,130.00 \$1.31
2 color Price per unit	\$1,966.00 \$1.96	\$4,340.00 \$1.73	\$8,095.00 \$1.61	\$13,580.00 \$1.35
3 color Price per unit	\$2,055.00 \$2.05	\$4,490.00 \$1.79	\$8,345.00 \$1.66	\$14,040.00 \$0.48
4 color Price per unit	\$2,142.00 \$2.14	\$4,635.00 \$1.85	\$8,590.00 \$1.71	\$14,490.00 \$1.44

Specialty 4" Box Pricing

4" Riviera	1,000	2,500	5,000	10,000	25,000	50,000
1 color Per Unit Price	\$1,015.00 \$1.01	\$1,676.00 \$0.70	\$2,695.00 \$0.53	\$4,480.00 \$0.44	\$10,125.00 \$0.40	\$19,250.00 \$0.38
2 colors Per Unit Price	\$1,082.00 \$1.08	\$1,883.00 \$0.75	\$2,820.00 \$0.56	\$4,660.00 \$0.46	\$10,400.00 \$0.41	\$19,650.00 \$0.39
3 colors Per Unit Price	\$1,149.00 \$1.14	\$2,000.00 \$0.80	\$2,945.00 \$0.58	\$4,850.00 \$0.48	\$10,675.00 \$0.42	\$20,100.00 \$0.40
4 color process Per Unit Price	\$1,214.00 \$1.21	\$2,115.00 \$0.84	\$3,070.00 \$0.61	\$5,030.00 \$0.50	\$10,950.00 \$0.43	\$20,500.00 \$0.41

4" Tent	1,000	2,500	5,000	10,000
1 color Per Unit Price	\$1,509.00 \$1.51	\$3,430.00 \$1.37	\$6,250.00 \$1.25	\$11,670.00 \$1.17
2 colors Per Unit Price	\$1,620.00 \$1.62	\$3,655.00 \$1.46	\$6,490.00 \$1.30	\$11,950.00 \$1.20
3 colors Per Unit Price	\$1,730.00 \$1.73	\$3,880.00 \$1.55	\$6,725.00 \$1.35	\$12,230.00 \$1.22
4 color process Per Unit Price	\$1,840.00 \$1.84	\$4,105.00 \$1.64	\$6,960.00 \$1.39	\$12,500.00 \$1.25

4" King	1,000	2,500	5,000	10,000	25,000	50,000
1 color Per Unit Price	\$1,416.00 \$1.42	\$2,832.00 \$1.13	\$4,730.00 \$0.95	\$7,790.00 \$0.78	\$18,500.00 \$0.74	\$34,950.00 \$0.70
2 colors Per Unit Price	\$1,519.00 \$1.52	\$3,052.00 \$1.22	\$5,040.00 \$1.01	\$8,210.00 \$0.82	\$19,050.00 \$0.76	\$35,900.00 \$0.72
3 colors Per Unit Price	\$1,622.00 \$1.62	\$3,275.00 \$1.31	\$5,350.00 \$1.07	\$8,600.00 \$0.86	\$19,625.00 \$0.79	\$36,750.00 \$0.74
4 color process Per Unit Price	\$1,725.00 \$1.73	\$3,493.00 \$1.40	\$5,665.00 \$1.13	\$9,010.00 \$0.90	\$19,700.00 \$0.79	\$36,800.00 \$0.74

Specialty Match Boxes - Pricing

Art and plate charges will be assessed on all first time orders. Please allow 9 - 12 weeks for delivery.
16 tip colors available on all standard boxes.

11" Showcase Fireplace	1,000	2,500	5,000	10,000	20,000	30,000
1 color Per Unit Price	\$1,721.00 \$1.72	\$4,082.00 \$1.63	\$7,295.00 \$1.46	\$13,290.00 \$1.33	\$24,480.00 \$1.22	\$32,640.00 \$1.09
2 colors Per Unit Price	\$1,844.00 \$1.84	\$4,210.00 \$1.68	\$7,435.00 \$1.49	\$13,420.00 \$1.34	\$24,660.00 \$1.23	\$32,910.00 \$1.10
3 colors Per Unit Price	\$1,974.00 \$1.97	\$4,343.00 \$1.74	\$7,560.00 \$1.51	\$13,560.00 \$1.36	\$24,820.00 \$1.24	\$33,180.00 \$1.11
4 color process Per Unit Price	\$2,105.00 \$0.28	\$4,473.00 \$1.79	\$7,690.00 \$1.54	\$13,700.00 \$1.37	\$25,040.00 \$1.25	\$33,360.00 \$1.11

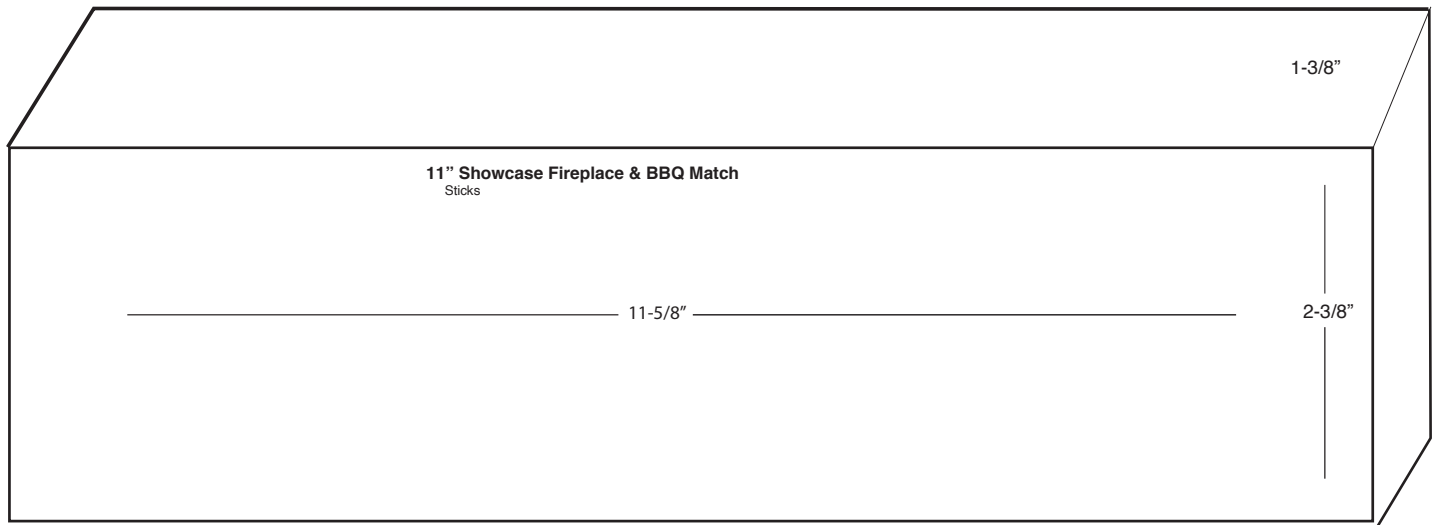


Image not actual size.

Pulp Board Coaster Pricing

3.5" 35 - 40 Point One Sided Print	2,500	5,000	10,000	15,000	25,000	50,000	Blank 1,000
One Side CMYK order cost	\$535.00	\$700.00	\$1,355.00	\$1,970.00	\$2,570.00	\$4,530.00	\$90.00
Cost per coaster	0.21	0.14	0.14	0.13	0.10	0.09	\$0.09
Die cut order cost	\$920.00	\$1,200.00	\$2,140.00	\$3,025.00	\$3,975.00	\$7,340.00	
Additional Die cut coaster cost	0.15	0.10	0.08	0.07	0.06	0.06	

3.5" 35 - 40 Point 2 Sided Print	2,500	5,000	10,000	15,000	25,000	50,000
Two Side CMYK order cost	\$585.00	\$765.00	\$1,485.00	\$2,165.00	\$2,825.00	\$4,980.00
Cost per coaster	0.23	0.15	0.15	0.14	0.11	0.10
Die cut order cost	\$970.00	\$1,265.00	\$2,270.00	\$3,220.00	\$4,230.00	\$7,340.00
Additional Die cut coaster cost	0.15	0.10	0.08	0.07	0.06	0.05

4" 35 - 40 Point One Sided Print	2,500	5,000	10,000	15,000	25,000	50,000	Blank 1,000
One Side CMYK order cost	\$585.00	\$765.00	\$1,485.00	\$2,165.00	\$2,825.00	\$4,980.00	\$100
Cost per coaster	0.23	0.15	0.15	0.14	0.11	0.10	0.10
Die cut order cost	\$970.00	\$1,265.00	\$2,270.00	\$3,220.00	\$4,230.00	\$7,340.00	
Additional Die cut coaster cost	0.15	0.10	0.08	0.07	0.06	0.05	

4" 35 - 40 Point 2 Sided Print	2,500	5,000	10,000	15,000	25,000	50,000
Two Side CMYK order cost	\$640.00	\$835.00	\$1,625.00	\$2,365.00	\$3,085.00	\$5,430.00
Cost per coaster	0.26	0.17	0.16	0.16	0.12	0.11
Die cut order cost	\$1,025.00	\$1,335.00	\$2,410.00	\$3,420.00	\$4,490.00	\$7,340.00
Additional Die cut coaster cost	0.15	0.10	0.08	0.07	0.06	0.04

3.5" 50 - 60 Point One Sided Print	2,500	5,000	10,000	15,000	25,000	50,000	Blank 1,000
One Side CMYK order cost	\$565.00	\$740.00	\$1,440.00	\$2,090.00	\$2,730.00	\$4,800.00	\$110.00
Cost per coaster	0.23	0.15	0.14	0.14	0.11	0.10	0.11
Die cut order cost	\$950.00	\$1,240.00	\$2,220.00	\$3,145.00	\$4,135.00	\$7,625.00	
Additional Die cut coaster cost	0.15	0.10	0.08	0.07	0.06	0.06	

3.5" 50 - 60 Point 2 Sided Print	2,500	5,000	10,000	15,000	25,000	50,000
Two Side CMYK order cost	\$620.00	\$815.00	\$1,580.00	\$2,300.00	\$2,730.00	\$5,295.00
Cost per coaster	0.25	0.16	0.16	0.15	0.11	0.11
Die cut order cost	\$1,005.00	\$1,315.00	\$2,360.00	\$3,355.00	\$4,135.00	\$8,120.00
Additional Die cut coaster cost	0.15	0.10	0.08	0.07	0.06	0.06

Pulp Board Coaster Pricing

4" 50 - 60 Point One Sided Print	2,500	5,000	10,000	15,000	25,000	50,000	Blank 1,000
One Side CMYK order cost	\$620.00	\$815.00	\$1,580.00	\$2,300.00	\$2,730.00	\$5,295.00	\$120.00
Cost per coaster	0.25	0.16	0.16	0.15	0.11	0.11	\$0.12
Die cut order cost	\$1,005.00	\$1,315.00	\$2,360.00	\$3,355.00	\$4,135.00	\$8,120.00	
Additional Die cut coaster cost	0.15	0.10	0.08	0.07	0.06	0.06	

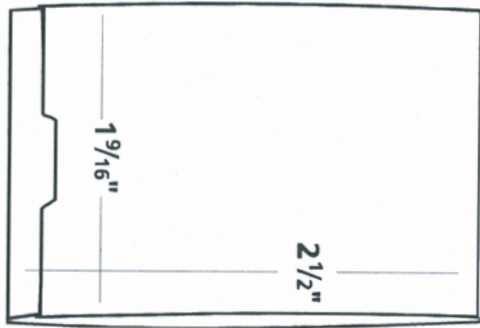
4" 50 - 60 Point 2 Sided Print	2,500	5,000	10,000	15,000	25,000	50,000
Two Side CMYK order cost	\$675.00	\$890.00	\$1,725.00	\$2,510.00	\$3,275.00	\$5,775.00
Cost per coaster	0.27	0.18	0.17	0.17	0.13	0.12
Die cut order cost	\$1,060.00	\$1,390.00	\$2,505.00	\$3,565.00	\$4,680.00	\$8,600.00
Additional Die cut coaster cost	0.15	0.10	0.08	0.07	0.06	0.06

3.5" 80 Point One Sided Print	2,500	5,000	10,000	15,000	25,000	50,000	Blank 1,000
One Side CMYK order cost	\$680.00	\$890.00	\$1,760.00	\$2,615.00	\$3,840.00	\$6,770.00	\$130.00
Cost per coaster	0.27	0.18	0.18	0.17	0.15	0.14	\$0.13
Die cut order cost	\$1,065.00	\$1,390.00	\$2,545.00	\$3,670.00	\$5,245.00	\$9,575.00	
Additional Die cut coaster cost	0.15	0.10	0.08	0.07	0.06	0.06	

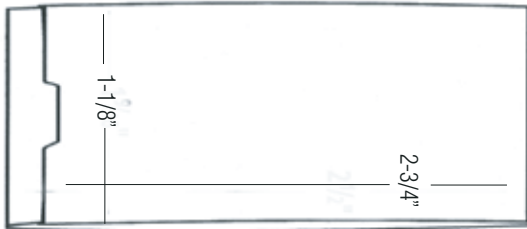
3.5" 80 Point 2 Sided Print	2,500	5,000	10,000	15,000	25,000	50,000
Two Side CMYK order cost	\$745.00	\$980.00	\$1,940.00	\$2,875.00	\$3,845.00	\$7,445.00
Cost per coaster	0.30	0.20	0.19	0.19	0.15	0.15
Die cut order cost	\$1,130.00	\$1,480.00	\$2,725.00	\$3,930.00	\$5,250.00	\$10,250.00
Additional Die cut coaster cost	0.15	0.10	0.08	0.07	0.06	0.06

4" 80 Point One Sided Print	2,500	5,000	10,000	15,000	25,000	50,000	Blank 1,000
One Side CMYK order cost	\$745.00	\$980.00	\$1,940.00	\$2,875.00	\$3,845.00	\$7,445.00	\$140.00
Cost per coaster	0.30	0.20	0.19	0.19	0.15	0.15	\$0.14
Die cut order cost	\$1,130.00	\$1,480.00	\$2,725.00	\$3,930.00	\$5,250.00	\$10,250.00	
Additional Die cut coaster cost	0.15	0.10	0.08	0.07	0.06	0.06	

4" 80 Point 2 Sided Print	2,500	5,000	10,000	15,000	25,000	50,000
Two Side CMYK order cost	\$815.00	\$1,065.00	\$2,115.00	\$3,140.00	\$4,610.00	\$8,120.00
Cost per coaster	0.33	0.21	0.21	0.21	0.18	0.16
Die cut order cost	\$1,200.00	\$1,565.00	\$2,900.00	\$4,195.00	\$6,015.00	\$10,925.00
Additional Die cut coaster cost	0.15	0.10	0.08	0.07	0.06	0.06



10 Pick Toothpick Booklet



7 Pick Toothpick Booklet



Toothpick Box 10 count
 $2\frac{3}{4}" \times 1"$, 2 Sides: $2\frac{3}{4}" \times \frac{5}{16}"$



Toothpick Box 20 count
 $2\frac{3}{4}" \times 1"$, 2 Sides: $2\frac{3}{4}" \times \frac{5}{16}"$

Toothpick Pricing

Art and plate charges will be assessed on all first time orders. Please allow 9 - 12 weeks for delivery.

16 tip colors available on all standard boxes.

Toothpick Booklet -10	2,500	5,000	10,000	25,000	50,000	100,000
1 color Per Unit Price	\$432.50 \$0.17	\$800.00 \$0.16	\$1,460.00 \$0.14	\$3,050.00 \$0.12	\$5,400.00 \$0.11	\$9,800.00 \$0.10
2 colors Per Unit Price	\$507.50 \$0.20	\$890.00 \$0.18	\$1,560.00 \$0.15	\$3,225.00 \$0.13	\$5,650.00 \$0.11	\$9,800.00 \$0.10
3 colors Per Unit Price	\$575.00 \$0.23	\$985.00 \$0.19	\$1,670.00 \$0.16	\$3,425.00 \$0.13	\$5,900.00 \$0.12	\$10,600.00 \$0.10
4 color process Per Unit Price	\$647.50 \$0.26	\$1,080.00 \$0.21	\$1,770.00 \$0.17	\$3,600.00 \$0.14	\$6,200.00 \$0.12	\$11,000.00 \$0.11

Toothpick Booklet -7	5,000	10,000	25,000	50,000	100,000	250,000
1 color Per Unit Price	\$520.00 \$0.10	\$950.00 \$0.09	\$2,225.00 \$0.09	\$3,950.00 \$0.08	\$7,200.00 \$0.07	\$16,750.00 \$0.06
2 colors Per Unit Price	\$610.00 \$0.12	\$1,050.00 \$0.10	\$2,400.00 \$0.09	\$4,200.00 \$0.08	\$7,600.00 \$0.07	\$17,250.00 \$0.07
3 colors Per Unit Price	\$705.00 \$0.14	\$1,160.00 \$0.11	\$2,575.00 \$0.10	\$4,450.00 \$0.09	\$7,900.00 \$0.08	\$17,750.00 \$0.07
4 color process Per Unit Price	\$800.00 \$0.16	\$1,260.00 \$0.12	\$2,750.00 \$0.11	\$4,650.00 \$0.09	\$8,300.00 \$0.83	\$18,250.00 \$0.07

Toothpick Box 20 count	2,500	5,000	10,000	25,000	50,000	100,000
1 color Per Unit Price	\$585.00 \$0.23	\$1,030.00 \$0.20	\$1,890.00 \$0.18	\$4,550.00 \$0.18	\$8,750.00 \$0.17	\$16,800.00 \$0.16
2 colors Per Unit Price	\$630.00 \$0.25	\$1,100.00 \$0.22	\$1,970.00 \$0.19	\$4,725.00 \$.19	\$9,000.00 \$0.18	\$17,200.00 \$0.17
3 colors Per Unit Price	\$682.50 \$0.27	\$1,195.00 \$0.23	\$2,060.00 \$0.20	\$4,900.00 \$0.19	\$9,200.00 \$0.18	\$17,500.00 \$0.17
4 color process Per Unit Price	\$730.00 \$0.29	\$1,270.00 \$0.25	\$2,150.00 \$0.21	\$5,075.00 \$0.20	\$9,450.00 \$0.19	\$17,900.00 \$0.18

Toothpick Box 10 pack	2,500	5,000	10,000	25,000	50,000	100,000
1 color Per Unit Price	\$480.00 \$0.19	\$815.00 \$0.16	\$1,480.00 \$0.14	\$3,475.00 \$0.13	\$6,600.00 \$0.13	\$12,500.00 \$0.12
2 colors Per Unit Price	\$527.50 \$0.21	\$895.00 \$0.18	\$1,550.00 \$0.15	\$3,650.00 \$0.14	\$6,850.00 \$0.13	\$12,900.00 \$0.13
3 colors Per Unit Price	\$575.00 \$0.23	\$980.00 \$0.19	\$1,630.00 \$0.16	\$3,875.00 \$0.15	\$7,150.00 \$0.14	\$13,200.00 \$0.13
4 color process Per Unit Price	\$622.50 \$.25	\$1,055.00 \$0.21	\$1,720.00 \$0.17	\$4,025.00 \$0.16	\$7,300.00 \$0.14	\$13,700.00 \$0.14